

TROUBLE SHOOTING Cont.

SAW BLADE DOES NOT CUT SQUARE.

Check to see if the saw blade is cutting square. If the blade is not cutting square as per the example (Fig. 5.14)

1. Replace with a new blade and check for squareness. The workpiece should be as per Fig. 5.15
2. Inspect the blade guides to see if there is a gap between the bearings and the blade (Fig.5.16)

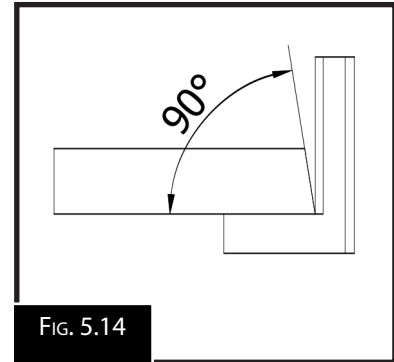


FIG. 5.14

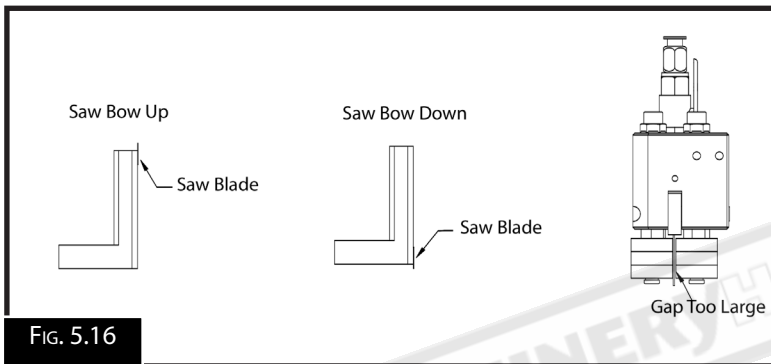


FIG. 5.16

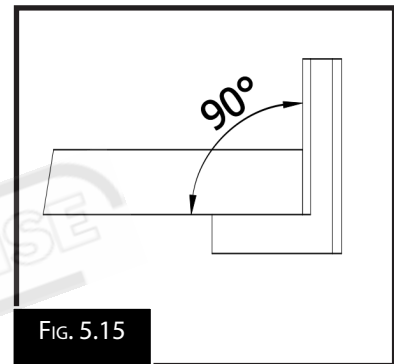


FIG. 5.15

SPARE PARTS SECTION

The following section covers the spare parts diagrams and lists that were current at the time this manual was originally printed. Due to continuous improvements of the machine, changes may be made at any time without notification.

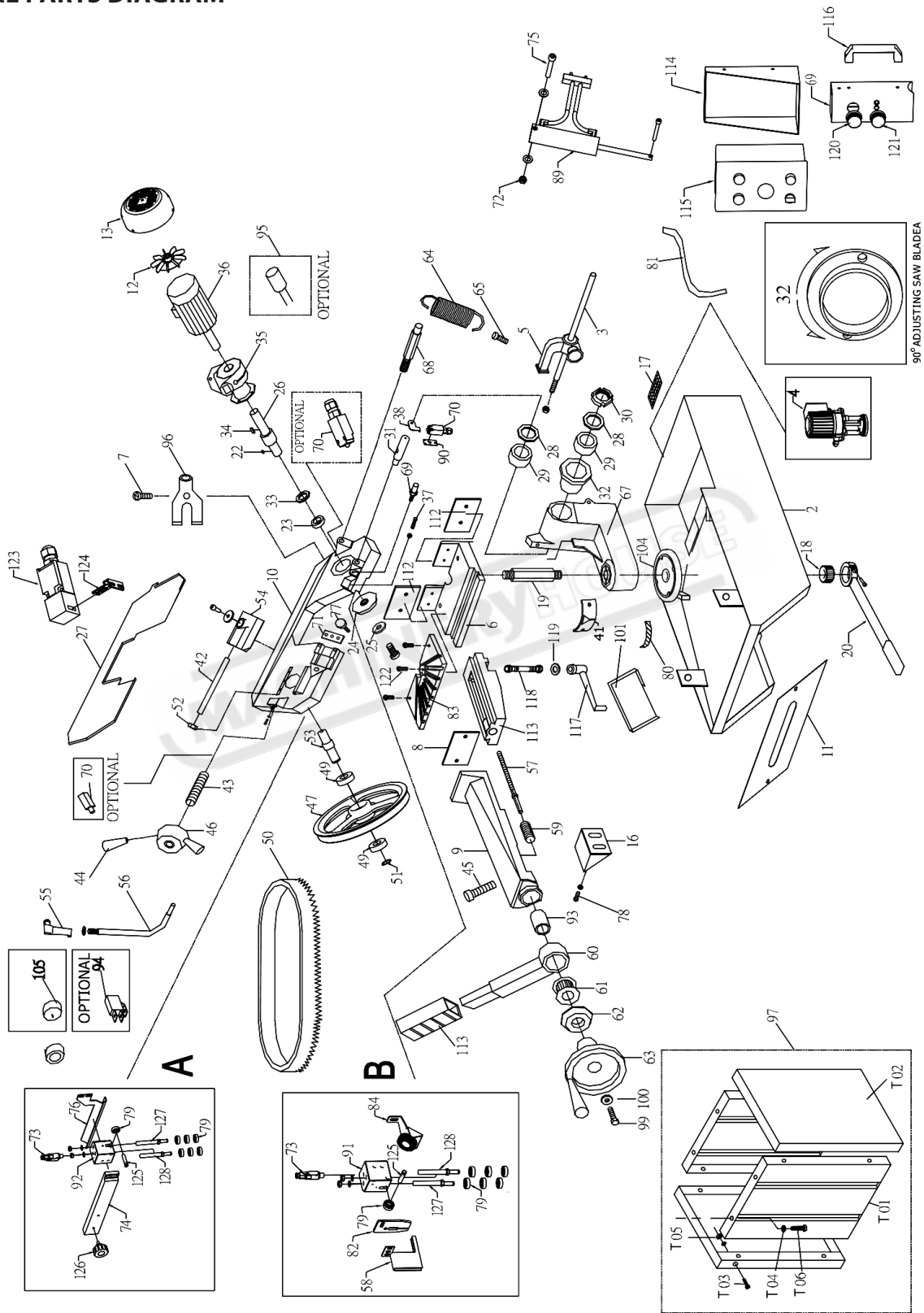
HOW TO ORDER SPARE PARTS

1. Have your machines **model number, serial number & date of manufacture** on hand, these can be found on the specification plate mounted on the machine
2. A scanned copy of your parts list/diagram with required spare part/s identified
3. Go to www.machineryhouse.com.au/contactus and fill out the inquiry form attaching a copy of scanned parts list.



OPERATION MANUAL

SPARE PARTS DIAGRAM





OPERATION MANUAL

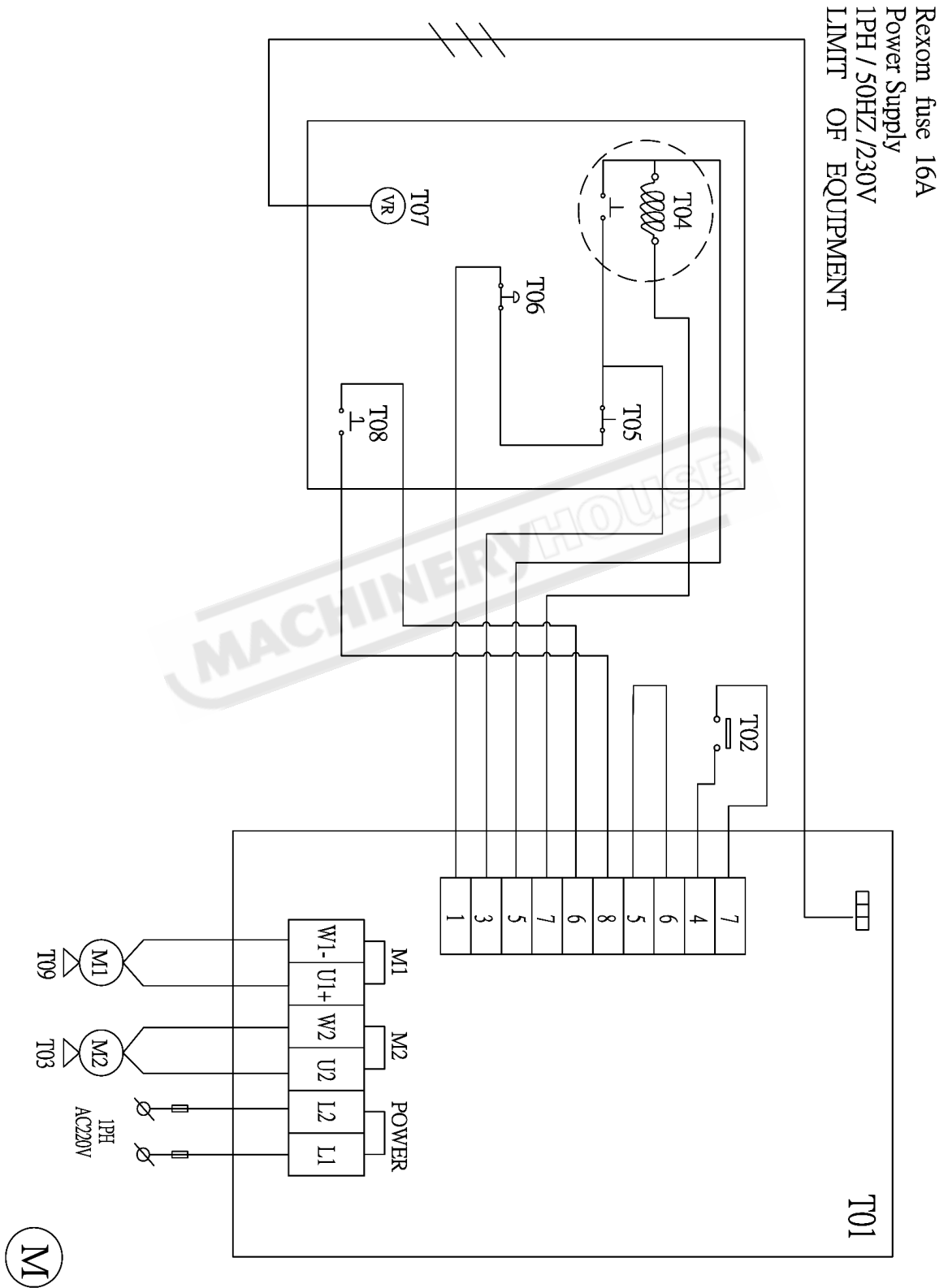
EB-280DSV SPARE PARTS LIST

Ref. No.	Description	Ref. No.	Description	Ref. No.	Description
01	Washer	51	C-ring	103	Bladeguide unit
02	Base	52	Hex. nuts	104	Round table
03	Bar stop rod	53	Blade sheel shaft	105	Blade tension gauge (optional)
04	Cool pump	54	Block blade tension	106	Guide pivot
05	Bar stop	55	Handle	107	Guide pivot
06	Countervice	56	Lever	108	33MM*MS screw
07	Screw M5	57	Vice screw	109	C-ring
08	Vice jaw	58R	Bladeguard	110	Vice piece
09	Vice	59	Vice spring	111	Screw
10	Body frame	60	Vice lever	112	Vice jaw
11	Casing	61	Bearing	113	Vice sliding seat
12	Motor Fan	62	Bearing cover	114	Switch shelf
13	Motor Cover	63	Vice handwheel	115	Electrical box
14	Connection Plate	64	Spring	116	Handle
16	Arm	65	Spring connection	117	Handle
17	Filter	67	Revolving arm	118	Bolt
18	Bush	68	Rod	119	Washer
19	Pin	69	Switch shelf	120	Revolving Hook
20	Lever	70	Micro switch(optional)	121	Adjusting hook
21	Scale	71	Block	122	Screw
22	Key 7x7 x35	72	Hex. nuts	123	Switch
23	Bearing	73	Rubber connection	124	Key
24	Motor flywheel	74	Arm	125	Pin
25	Washer	75	Bolt	126	Hand wheel
26	Shaft	76	Blade guard	127	Pivots excentric
27	Blade cover	77	Handle	128	Pivots centric
28	Ring nilons	78	Screw M10		
29	Bearing 32006	79	Bearing 6082Z		
30	Ring nut M30	81	Water pipe		
31	Pivot	82	Rust plate		
32	Bearing cove	83	Vice pad		
33	Washer	84	Bush		
34	Key 8x7x25	85	Switch set		
35	Reducer	86	24V switch set		
36	Motor	87	Scale		
37	Screw	89	Hydraulic cylinder		
38	Touch	90	Bracket		
39	Plug	91	Fixed bladeguide plate		
40	Micro switch(optional)	92	Mobile bladeguide plate		
41	Scale	93	Bush		
42	Screw	94	Toger switch		
43	Spring washer	95	Condenser(motor)(optional)		
44	Grip	96	Coolant distributor		
45	Pin	97	Stand		
46	Handwheel	98	Nut M10		
47	Return flywheel	99	Screw M8*15		
48	Hex. nut	100	Washer		
49	Bearings 2Z	101	Plate		
50	Saw blade	102	Bladeguide unit square		



OPERATION MANUAL

EB-280DSV ELECTRICAL DIAGRAM





OPERATION MANUAL

EB-280DSV ELECTRICAL PARTS LISTS

Part No.	Name	Description	Manufacturer	Mark
T01	PCB	CY-815DVP	George	CE
T02	Safe Micro	Micro Switch	Haily	CE
T03	M2	Pump Motor	George	CE
T04	ON	I Switch	Tend	CE
T05	OFF	O Switch	Tend	CE
T06	EMS	Emergency Stop	Demex	CE
T07	VR	Converter VR	George	CE
T08	Coolant	Pump Switch	Tend	CE
T09	M1	Main Motor	George	CE